

Machine feet with central fastening hole

SPECIFICATION

Types (Foot plate)

- Type **A**: without rubber underlay
- Type **B**: with rubber underlay
- Type **C**: with O-ring

Foot plate

Steel, plastic coated
black, RAL 9005, textured finish

Threaded studs / Hexagon nut ISO 8675
Steel, zinc plated, blue passivated

Rubber underlay, inlaid
black, NBR
85±5 Shore A

O-ring, inlaid
black, NBR
≈ 70 Shore A

INFORMATION

Machine feet GN 37 are characterized by their solid construction and large variety. They are used especially on large and heavy systems and machines. The through-hole allows the machine feet to be attached centrally to the ground, making them ideal for compressive and tensile loads.

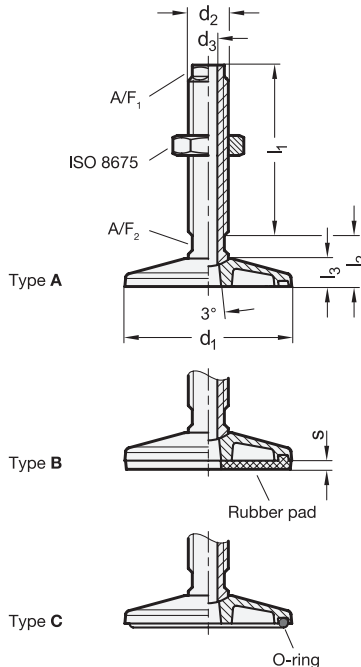
Foot plates and threaded studs are not connected together, during setup they are automatically centered by the radius at the contact point.

Type B with rubber underlay prevents slipping to the side, protects delicate surfaces and dampens vibrations and tremors. Type C with O-ring provides a seal over the ground to prevent the build-up of dirt under the foot. When used in conjunction with a collection pan, lubricants for example cannot escape to reach the underlying surface.

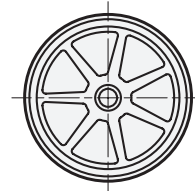


TECHNICAL INFORMATION

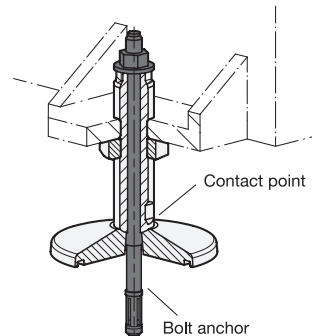
- Elastomer characteristics (see page A32)
- ISO-Fundamental Tolerances (see page A21)



View from below



Application example





GN 37-A

Description	d1	d2	l1	d3 H13	l2 ≈	l3	A/F 1	A/F 2	Static load F in kN	⚖️
GN 37-80-M20x1.5-60-A	80	M 20 x 1.5	60	9	27.5	15	16	16	40	405
GN 37-100-M24x2-70-A	100	M 24 x 2	70	11	30	17.5	19	19	50	664
GN 37-125-M30x2-90-A	125	M 30 x 2	90	13.5	38	21	24	24	80	1288
GN 37-160-M36x2-110-A	160	M 36 x 2	110	17.5	45	27	30	30	120	2456
GN 37-200-M42x2-125-A	200	M 42 x 2	125	22	55	33	36	36	150	4375

GN 37-B

Description	d1	d2	l1	d3 H13	l2 ≈	l3	s	A/F 1	A/F 2	Static load F in kN	⚖️
GN 37-80-M20x1.5-60-B	80	M 20 x 1.5	60	9	27.5	15	3	16	16	20	425
GN 37-100-M24x2-70-B	100	M 24 x 2	70	11	30	17.5	4	19	19	30	708
GN 37-125-M30x2-90-B	125	M 30 x 2	90	13.5	38	21	5	24	24	50	1370
GN 37-160-M36x2-110-B	160	M 36 x 2	110	17.5	45	27	6	30	30	70	2620
GN 37-200-M42x2-125-B	200	M 42 x 2	125	22	55	33	8	36	36	110	4701

GN 37-C

Description	d1	d2	l1	d3 H13	l2 ≈	l3	A/F 1	A/F 2	Static load F in kN	⚖️
GN 37-80-M20x1.5-60-C	80	M 20 x 1.5	60	9	27.5	15	16	16	40	408
GN 37-100-M24x2-70-C	100	M 24 x 2	70	11	30	17.5	19	19	50	671
GN 37-125-M30x2-90-C	125	M 30 x 2	90	13.5	38	21	24	24	80	1298
GN 37-160-M36x2-110-C	160	M 36 x 2	110	17.5	45	27	30	30	120	2477
GN 37-200-M42x2-125-C	200	M 42 x 2	125	22	55	33	36	36	150	4402